

FRONT VIEW

DATE 01-07-2023	DRAWN BY B.G.	MODEL TR-5199F
PRODUCT PANEL MOUNT VERSION	REVISION 0	SCALE NTS
FINISH CRINKLE BLACK POWDER PAINT		
TITLE LAYOUT	DRAWING No B-745	

IRIG A/B STATUS LED

15.250

ISOLATED COM3 SERIAL PORT
POWER, RxD, TxD
STATUS LEDS

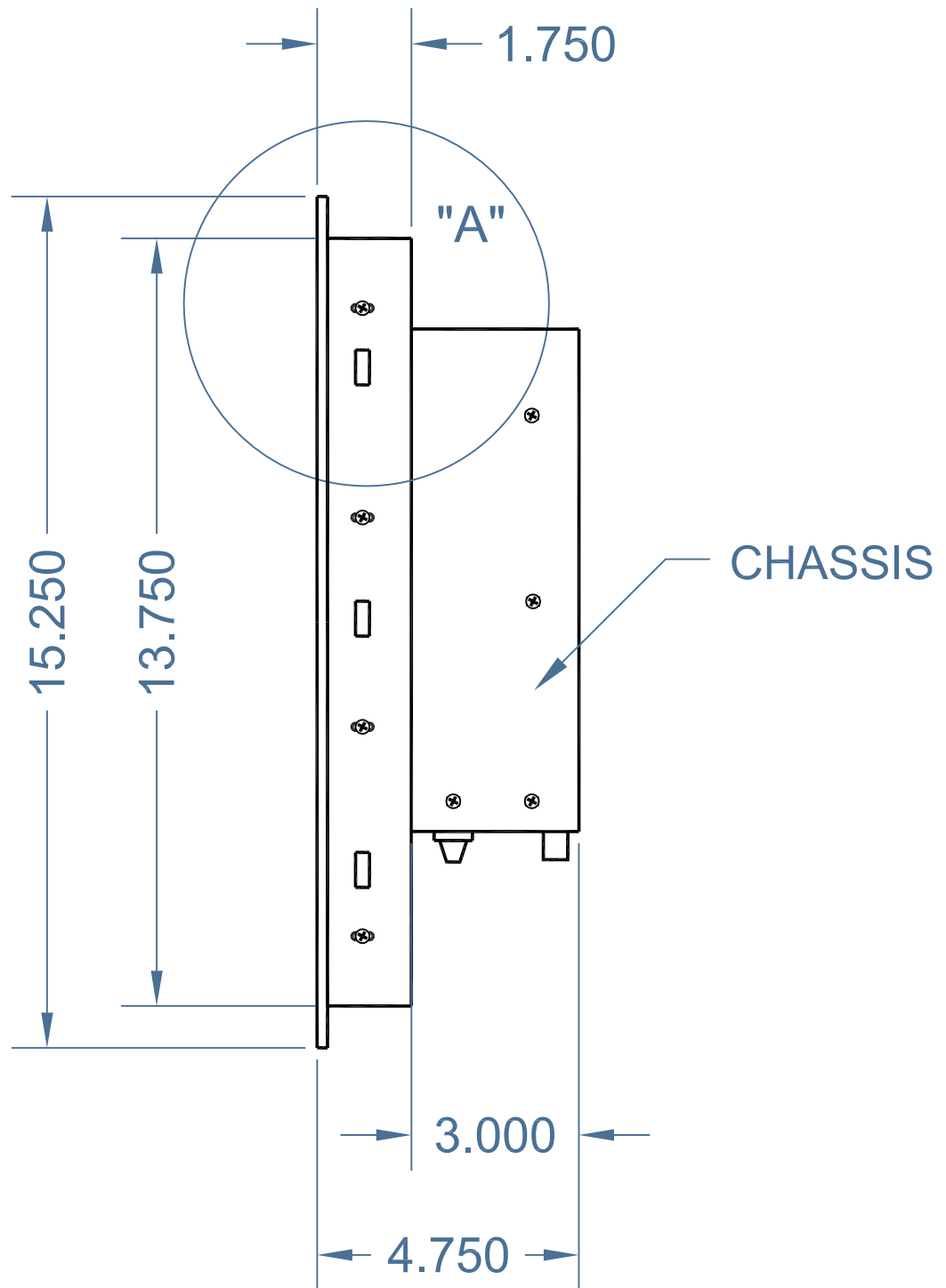
ISOLATED COM4 SERIAL PORT
POWER, RxD, TxD
STATUS LEDS

17.750

POWER ON/
DISK ACTIVITY LED

REAR VIEW

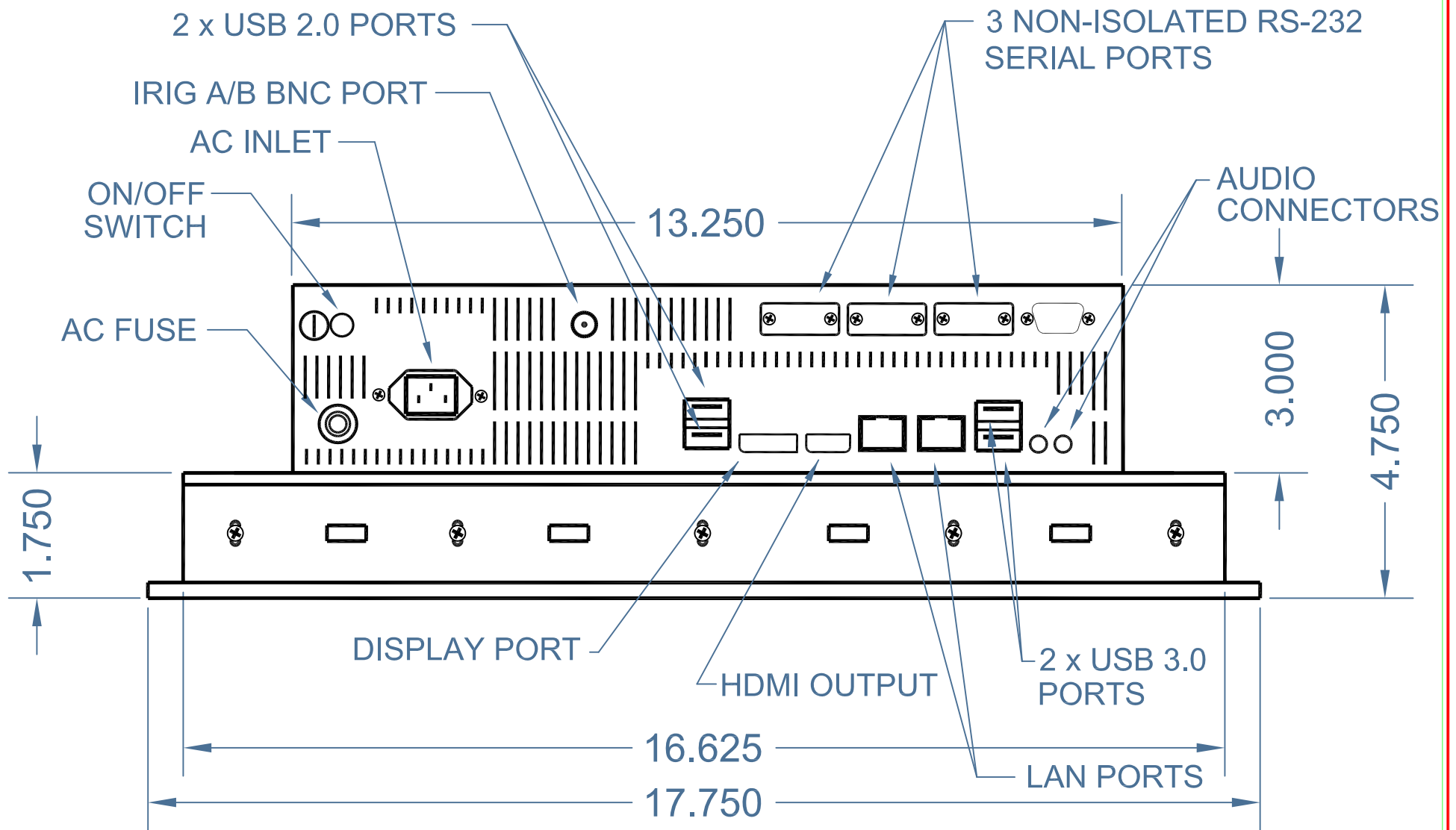
DATE 01-07-2023	DRAWN BY B.G.	MODEL TR-5199F
PRODUCT PANEL MOUNT VERSION		REVISION 0
FINISH CRINKLE BLACK POWDER PAINT	Transduction	CHECKED BY NTS
TITLE LAYOUT		DRAWING No B-746



RIGHT SIDE VIEW

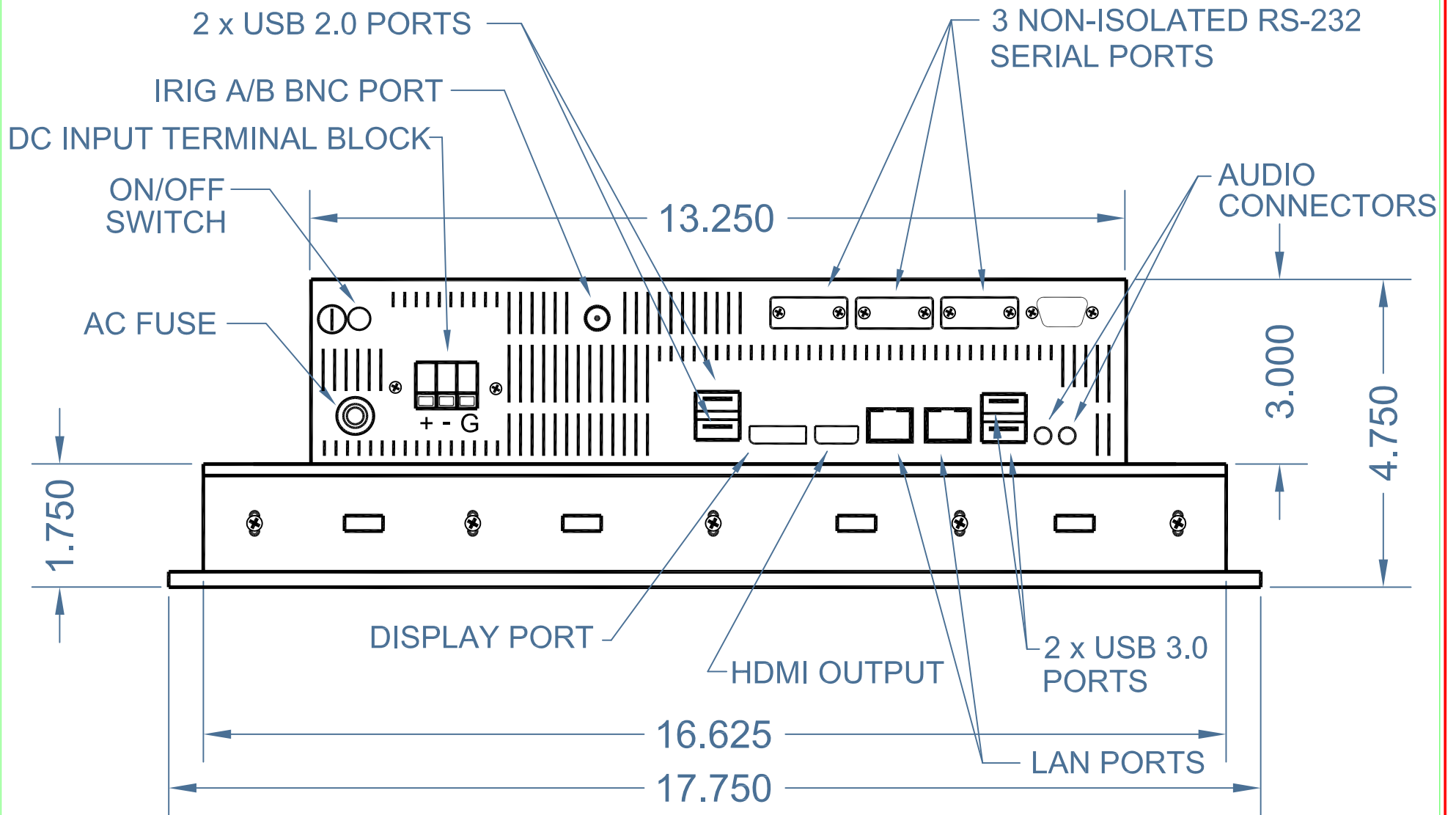
NOTE: FOR DETAIL "A" LOOK
DRAWING B-751

DATE 01-07-2023	DRAWN BY B.G.	MODEL TR-5199F		
PRODUCT PANEL MOUNT VERSION			REVISION 0	SCALE NTS
FINISH CRINKLE BLACK POWDER PAINT	Transduction		CHECKED BY	NTS
TITLE LAYOUT			DRAWING No B-747	



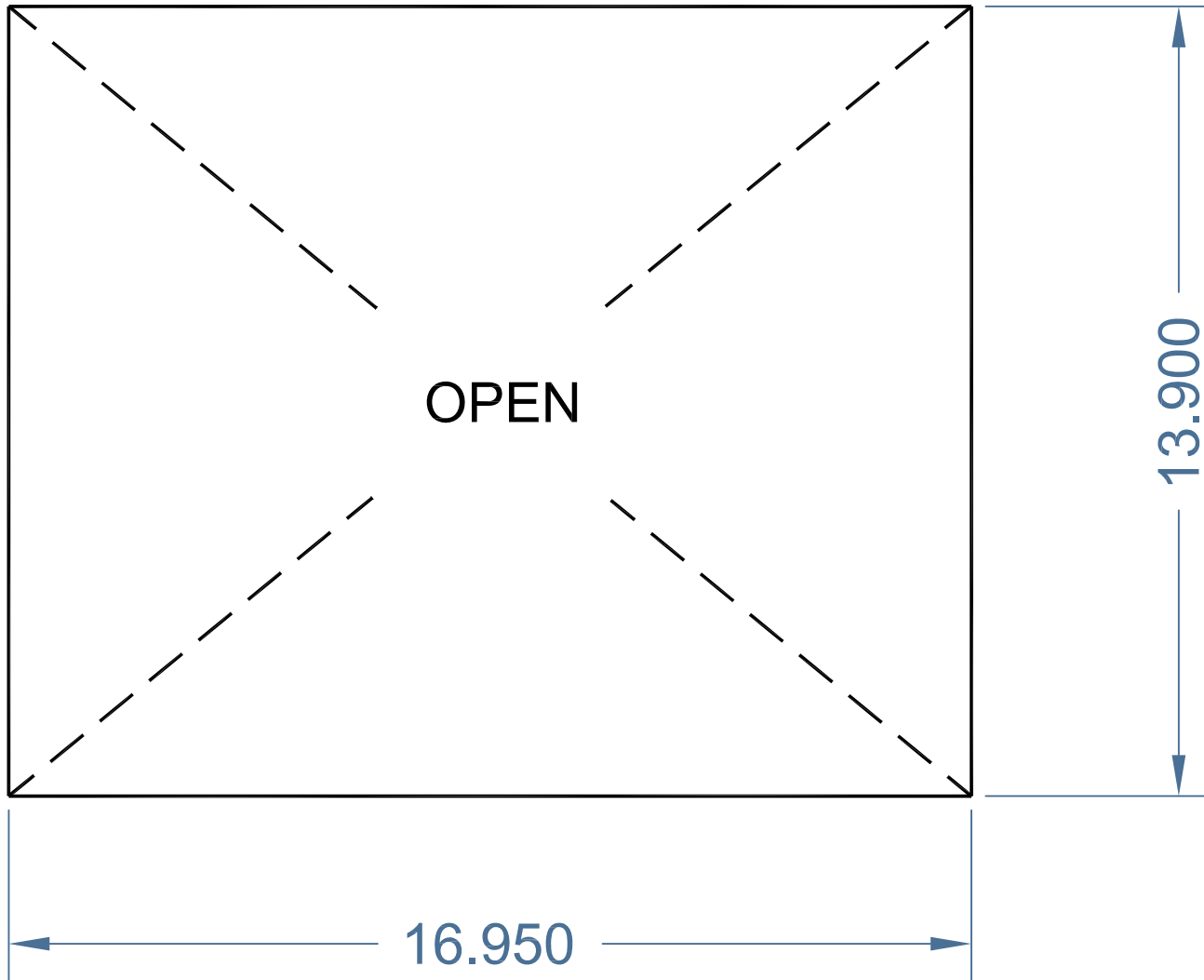
BOTTOM VIEW

DATE 01-07-2023	DRAWN BY B.G.	MODEL TR-5199F
PRODUCT PANEL MOUNT VERSION		REVISION 0
FINISH CRINKLE BLACK POWDER PAINT	CHECKED BY NTS	
TITLE LAYOUT AC INPUT OPTION		DRAWING No B-748

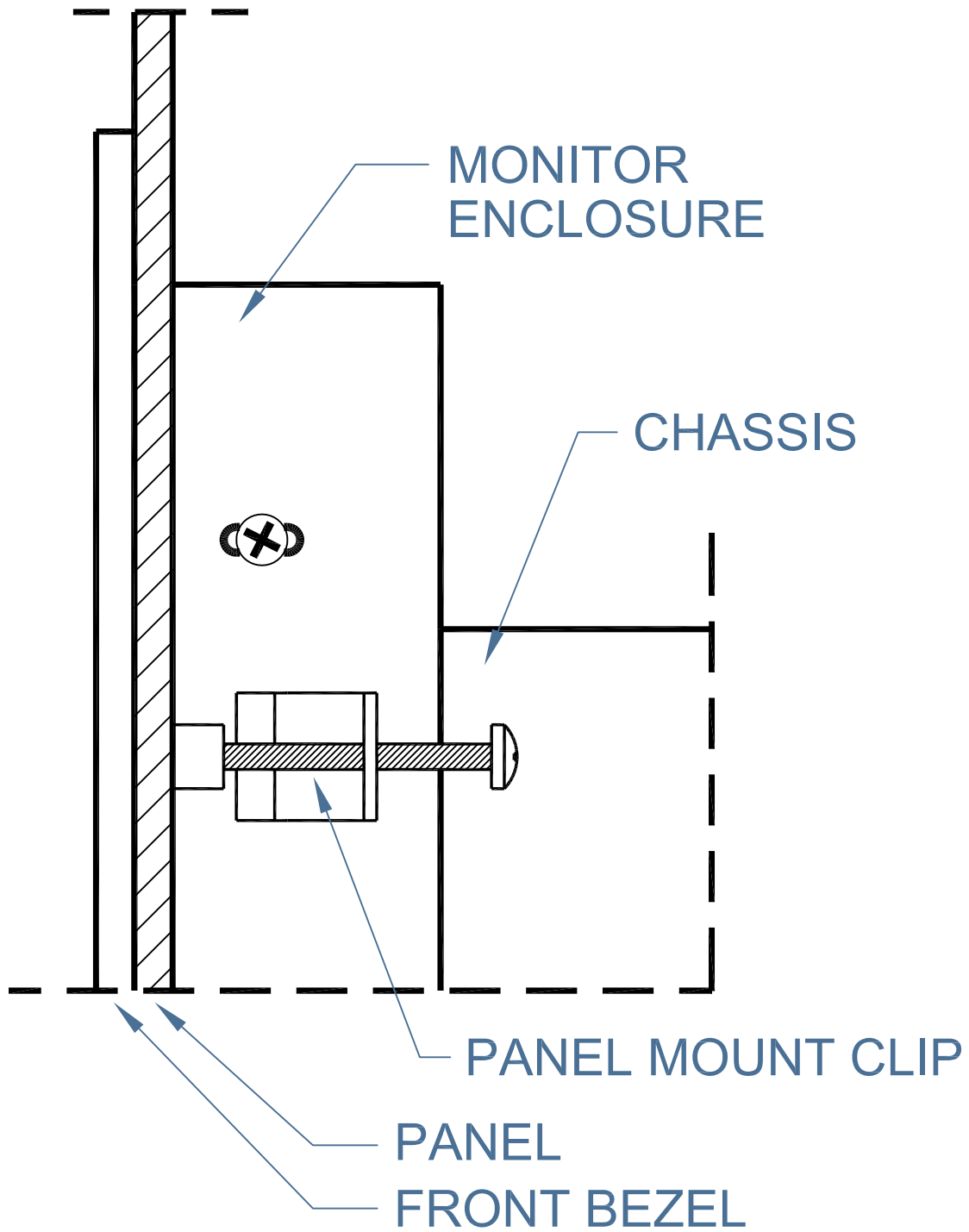


BOTTOM VIEW

DATE 01-07-2023	DRAWN BY B.G.	MODEL TR-5199F
PRODUCT PANEL MOUNT VERSION		REVISION 0
FINISH CRINKLE BLACK POWDER PAINT	CHECKED BY NTS	
TITLE LAYOUT DC INPUT OPTION		DRAWING No B-749

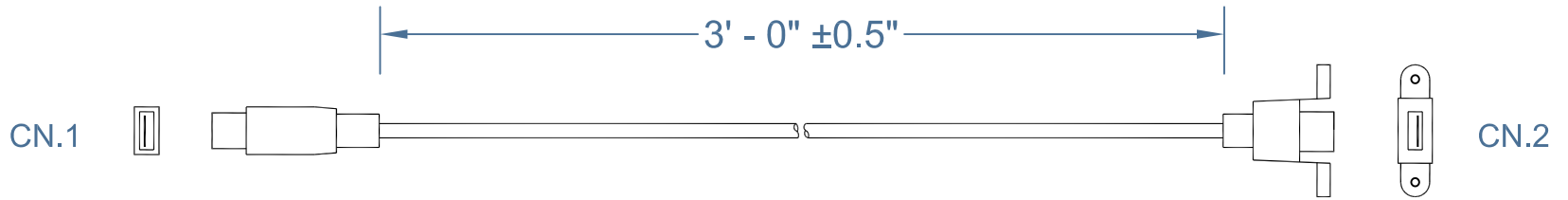
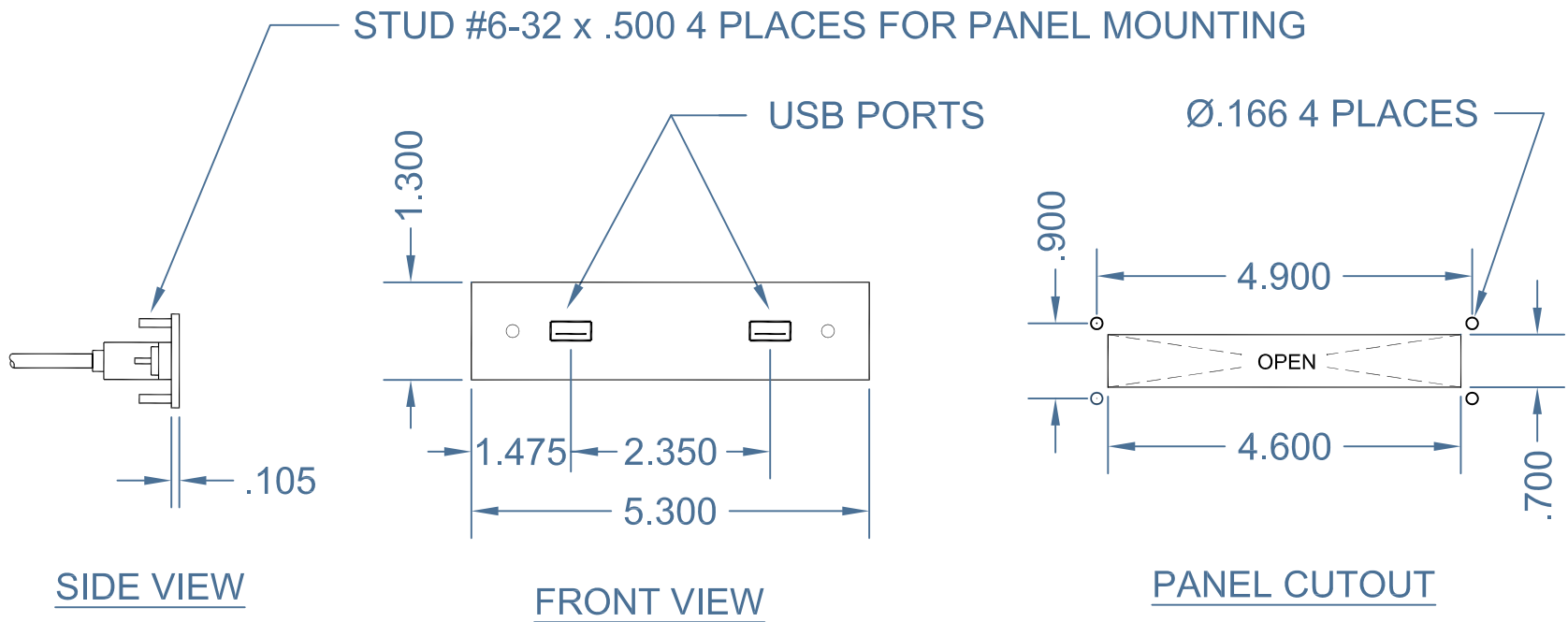


DATE	01-07-2023	DRAWN BY	B.G.	MODEL	TR-5199F	
PRODUCT	PANEL MOUNT VERSION			REVISION	0	SCALE
FINISH	CRINKLE BLACK POWDER PAINT	Transduction		CHECKED BY	NTS	
TITLE	CUTOUT			DRAWING No	B-750	

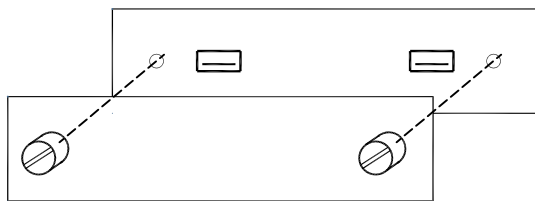


NOTE: CLIP ATTACHED FROM BEHIND AFTER CHASSIS PLACEMENT IN THE PANEL OPENING

DATE 01-07-2023	DRAWN BY B.G.	MODEL TR-5199F
PRODUCT PANEL MOUNT VERSION	REVISION 0	SCALE NTS
FINISH CRINKLE BLACK POWDER PAINT	Transduction	
TITLE DETAIL "A"	DRAWING No B-751	



TWO USB CABLES MOUNTED ON THE PLATE



COVER PLATE

DATE 02-01-2010	DRAWN BY B.G.	MODEL FILLER PLATE	REVISION 0	SCALE NTS
TITLE LAYOUT			DRAWING No B-476A	
FINISH SANDTEX BLACK PAINT		Transduction		
TR-PM-USB PLATE		CHECKED BY		